

Rush and setup xStage S8



S8 is an extremely versatile heavy-duty platform system enabling users to construct large size stages in almost any configuration imaginable. The specially designed S8 profile enables the platforms to be combined with Layher, one of the world's leading scaffolding systems, to provide

a vast range of products and accessories for all stage applications. The comprehensive range of components featured in the S8 range includes custom shapes and loading ramps to add perfect form and function to any platform project.



S8 xSTAGE

Stage S8 - Heavy duty platform stage system with lower deck Layher compatibility

S8 xSTAGE LOADING TABLE

dimensions			2000 x 1000 mm	78.74" x 39.37"	2000 x 1000 mm	78.74" x 39.37"	2000 x 1000 mm	78.74" x 39.37"	2000 x 1000 mm	78.74" x 39.37"
height	adjustable up to:		500 mm	19.68"	700 mm	27.56"	1000 mm	39.37"	1500 mm	59.06"
max. load	steel leg 48,3 x 5,6 mm	1.90" x 0.22"	750 kg/m ²	153.6 lbs/ft ²	750 kg/m ²	153.6 lbs/ft ²	750 kg/m ²	153.6 lbs/ft ²	700 kg/m ²	143.4 lbs/ft ²
	steel leg 48,3 x 3,2 mm	1.90" x 0.12"	630 kg/m ²	129.1 lbs/ft ²	610 kg/m ²	124.9 lbs/ft ²	580 kg/m ²	118.9 lbs/ft ²	500 kg/m ²	102.5 lbs/ft ²
	aluminium leg 48 x 3 mm	1.89" x 0.11"	730 kg/m ²	149.5 lbs/ft ²	710 kg/m ²	145.5 lbs/ft ²	630 kg/m ²	129.1 lbs/ft ²	460 kg/m ²	94.3 lbs/ft ²
top	plywood, plexi-glass, composite honeycomb		15 mm	0.59"	15 mm	0.59"	15 mm	0.59"	15 mm	0.59"

* Due to natural condition of plywood, the deck shade / colour may vary.

S8 xSTAGE

dimensions	2000 x 1000 mm	78.74" x 39.37"
height	adjustable up to: 1500 mm	59.06"
max. load	750 kg/m ²	153.6 lbs/ft ²
top	plywood: 15 mm	0.59"
weight	35 kg	77.16 lbs
storage height	100 mm	3.94"
platform material	plywood, plexi-glass, composite honeycomb	
special surface	possible	
special sizes	possible	



S8 ALUMINIUM PROFILE

High-tensile aluminium profile.



S8 PLEXIGLAS SURFACE

Transparent surface, different colours available on request.



S8 PLYWOOD SURFACE / HONEYCOMB COMPOSITE

Anti-slip plywood (outdoor use). Due to natural condition of plywood, the deck shade / color may vary. Honeycomb composite deck - anti-slip, more durable, stronger, much lighter, keeps same color.



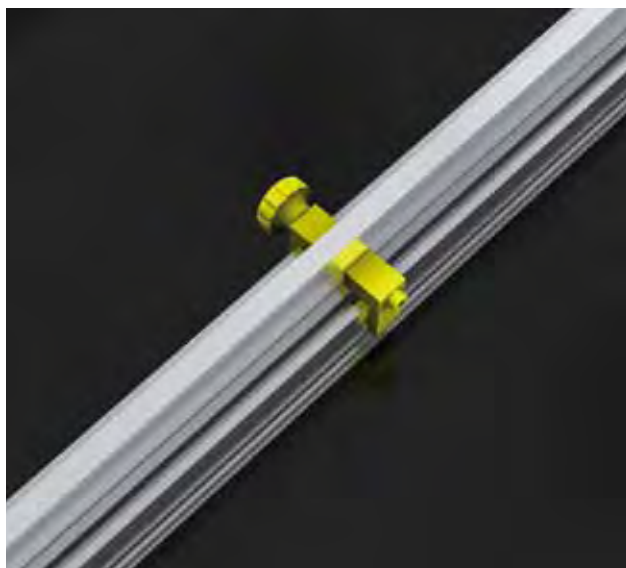
S8 SCAFFOLD

S8 is connectable to layher, type steel legs.



S8 PLUG-IN LEG SYSTEM

Collar for inserting aluminium or steel pipe-leg.



S8 DECK CONNECTION

Aluminium connector for joining two decks.



S8 STAGE CONNECTOR

Universal stage connector for S1, S3, S4 and S8 decks.

S8 xSTAGE CAN BE USED WITH DIFFERENT LEGS AND HEIGHTS



S8 STANDARD LEGS

Aluminium or steel, plastic cap ending.



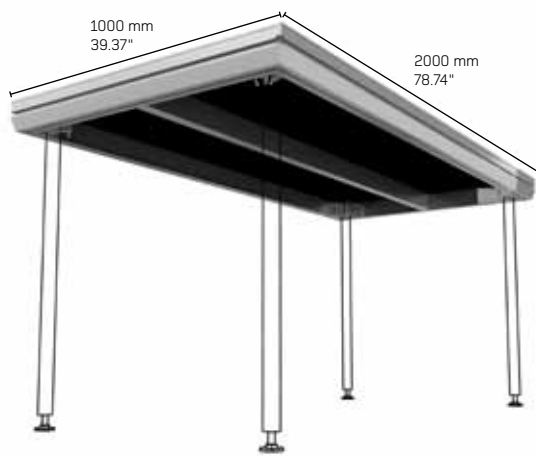
S8 ADJUSTABLE LEGS

Aluminium, adjustable 5 cm screw foot.



S8 TELESCOPIC LEGS

Aluminium, adjustable in 10 cm steps and bottom screw foot.



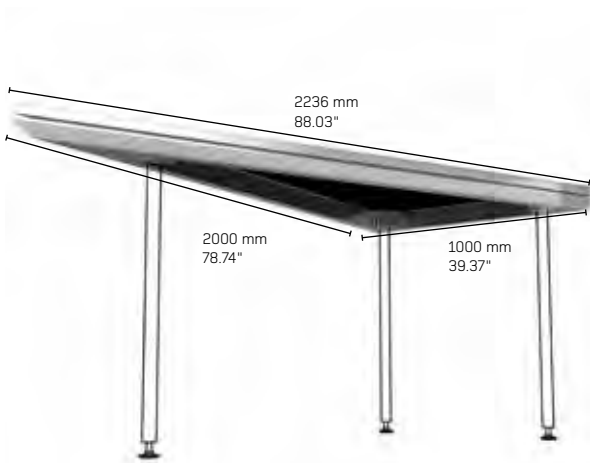
S8 xSTAGE

S8 standard table. Compatible with Layher scaffolding system.



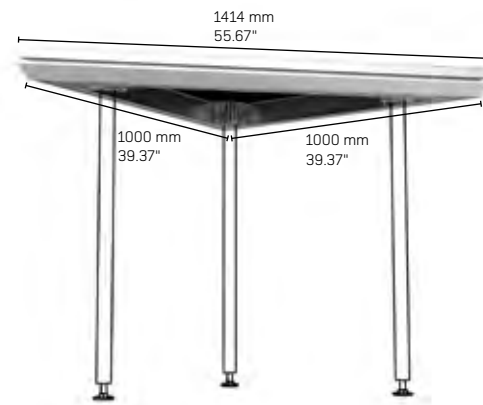
S8 xSTAGE C 001

Ideal for round shape platform installations. Different sizes on request.



S8 xSTAGE C 004

Ideal for custom build projects with special xStage shapes using chamfer design. Manufactured in Left and Right version.



S8 xSTAGE C 006

Ideal for custom build projects with special xStage shapes using chamfer design. Manufactured in Left and Right version.



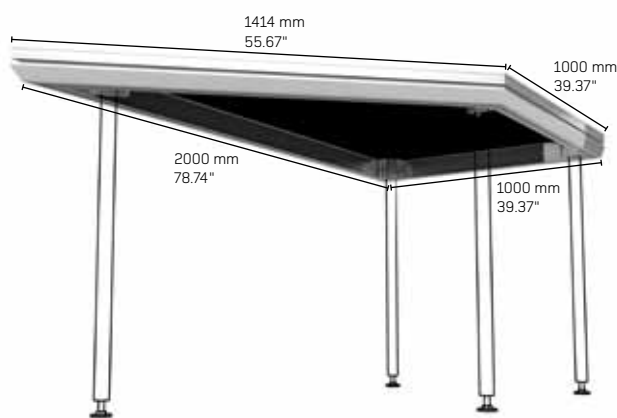
S8 xSTAGE LEGS

Legs available from 200 – 1500 mm (7.87" - 59.06")



S8 xSTAGE C 009

Special version of S8 deck with dimensions 1 x 1 m.



S8 xSTAGE C 001

Ideal for platform installations with unusual shapes and dimensions. Manufactured in Left and Right version.



S8 xSTAGE C 014

Special version of S8 deck with dimensions 2 x 0,5 m.



S8 xSTAGE C 015

Special version of S8 deck with dimensions 1 x 0,5 m.

Rush and setup xStage Accessories

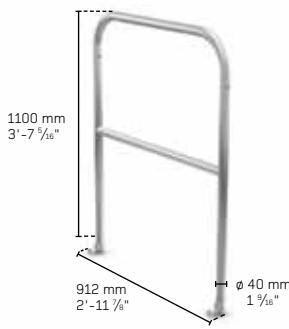


Milos range of xStage accessories includes a comprehensive selection of parts to complement our standard stage products.

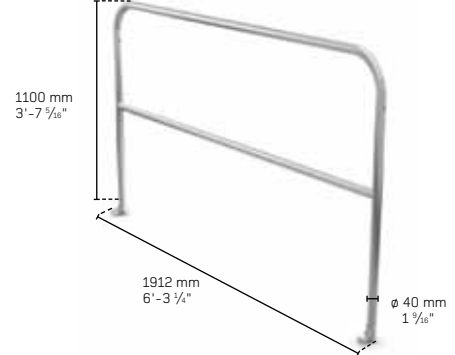
The following section includes our standard hand-rails, locking options, steps & storage carts to suit all your stage accessory needs. If you cannot find a part you are looking for, please contact our sales office for advice.



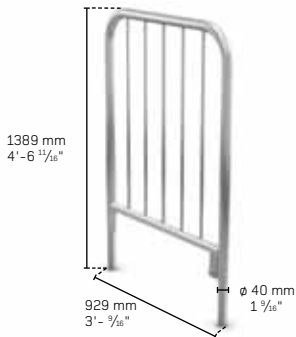
Suitable for **S1 / S3 / S8**
XSTAGE CONNECTOR
Universal stage connector for S1, S3, S8, S4 decks.



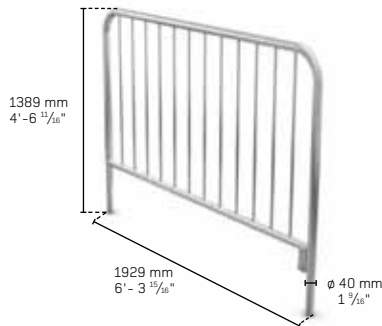
Versions available for **S1 / S3 / S8 ***
S1 GUARD RAIL 1000 mm (39.37")
Made from aluminium 40 x 2 mm (1.57" x 0.08"). Powder coated version available on request.
* Please specify stage version when ordering.
** The guard rail height is measured from top deck.



Versions available for **S1 / S3 / S8 ***
S1 GUARD RAIL 2000 mm (78.74")
Made from aluminium 40 x 2 mm (1.57" x 0.08"). Powder coated version available on request.
* Please specify stage version when ordering.
** The guard rail height is measured from top deck.



Versions available for **S1 / S3 / S8 ***
S8 HD GUARD RAIL 1000 mm (39.37")
Made from aluminium 48 x 3 mm (1.89" x 0.11"). Powder coated version available on request.
* Please specify stage version when ordering.
** The guard rail height is measured from top deck.



Versions available for **S1 / S3 / S8 ***
S8 HD GUARD RAIL 2000 mm (78.74")
Made from aluminium 48 x 3 mm (1.89" x 0.11"). Powder coated version available on request.
* Please specify stage version when ordering.
** The guard rail height is measured from top deck.



Versions available for **S1 / S3 / S8**
S1 GUARD RAIL CONNECTOR
Connector for guard rail reinforcement made from steel.



Versions available for **S1 / S3 / S8**

S1 GUARD RAIL CORNER CONNECTOR

Connector for guard rail reinforcement made from steel.



Versions available for **S3 / S8 ***

S3 TWO LEG CONNECTOR

Quick two leg clamp system made from aluminium and steel.

* Please specify stage version when ordering.



Versions available for **S3 / S8 ***

S3 FOUR LEG CONNECTOR

Quick four leg clamp system made from aluminium and steel.

* Please specify stage version when ordering.



Versions available for **S3 / S8 ***

S3 DECK ADAPTOR

Universal two deck adaptor for all legs.

* Please specify stage version when ordering.



Versions available for **S3 / S8 ***

S3 DECK ADAPTOR

Universal four deck adaptor for all legs.

* Please specify stage version when ordering.



Versions available for **S3 / S8**

S3 STANDARD LEG

Standard aluminium or steel leg with end cap.
Available in length: 200 - 1500 mm (7.87" - 59.06")



Versions available for **S3 / S8**

S3 ADJUSTABLE LEG

Standard aluminium or steel leg with end cap.
Available in length: 200 - 1500 mm (7.87" - 59.06")



Versions available for **S3 / S8**

S3 TELESCOPIC LEG

Aluminium telescopic leg with adjustable feet.
Available lengths:
500 - 700 mm (19.68" - 27.56")
700 - 1000 mm (27.56" - 39.37")
1000 - 1500 mm (39.37" - 59.06")



Versions available for **S3 / S8**

S3 WHEEL LEG

Aluminium leg with wheel suitable for mobile platforms.
Available in length:
200 - 1500 mm (7.87" - 59.06")



Detail view



Versions available for

S3 / S8

S3 CONNECTING PROFILE FOR SIDE

1000 mm / 2000 mm (39.37" / 78.74")
 xStage locking extrusion, inserted into stage profile to align decks and in some situations reduce quantity of legs.



Versions available for

S1 / S3 / S8

S3 ALUMINIUM TRANSPORT CART

Transport cart for up to 10 vertical decks.



Versions available for

S1 / S3 / S8

TRANSPORT CART

Transport cart for up to 5 horizontal decks.



Versions available for

S1 / S3 / S8

STAIRS 600-1000 mm (23.62"-39.37")

Adjustable stairs with guard rails.
 Maximum height 1000 mm (39.37").



Versions available for

S1 / S3 / S8

STAIRS 1000-1500 mm (39.37"-59.06")

Adjustable stairs with guard rails for.
 Maximum height 1500 mm (59.06").



Versions available for

S1 / S3 / S8

S3 STAIRS

Low-cost stairs made from metal profile with wooden steps.

