

Sky and stage Tower MT2

The MT2 Tower is geared for use with the Quick-Truss® M400 and M520 Systems. Also, it serves as the basic unit for Milos Roof Systems MR3 Series.

Able to support 2000 kg (4409.2 lbs), the MT2 Tower is useful for many reasons. Truss spans can be pre-rigged at ground level and winched up, electrically with an optional motor hoist to a maximum height of up to 12,5 meters (41').



height m [ft]	12,5	41
capacity with motor* kg [lbs]	2000	4408.4
self weight kg [lbs]	290	639.2

* Only when motor bracket on sleeve block is used, or when hoist is attached on horizontal beam with round sling.

COMPONENTS NEEDED TO CONSTRUCT ONE MT2 TOWER

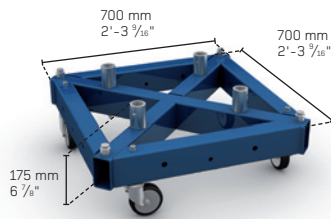
MT2 01	steel base MT2	1 piece
MT2 02	head section MT2	1 piece
MT2 03	sleeve block M520 - QTP	1 piece
MT2 03*	sleeve block M520 - FTP	1 piece
MT2 03*	sleeve block M950 - FTT	1 piece
MT2 03*	sleeve block M950 - RTT	1 piece
MT2 04**	short outrigger MT2	4 pieces
MT2 05**	long outrigger MT2	4 pieces
MT2 07	hinge parts	1 set = 4 pieces
MT2 09***	bracket for motor	1 piece
MT2 10	safety wire	1 piece
MT2 11*	helper	1 piece
QTKT 500	M390KT quatro 0,5 m length	1 piece
QTKT 3000****	M390KT quatro 3 m length	4 pieces

* optional

** use of short or long outrigger depends on the tower's application

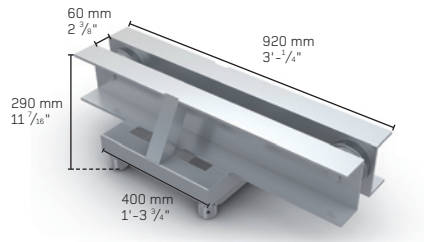
*** steel base or sleeve block attachment

**** depends on height requirements (max. height is 12,5 m / 41')



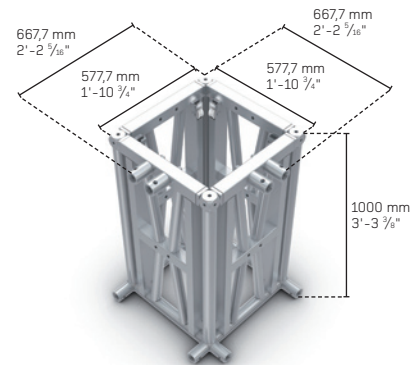
MT2 01 STEEL BASE

A robust steel base ensures adequate stability for the tower. The base has wheels which allows for easy movement during setup.



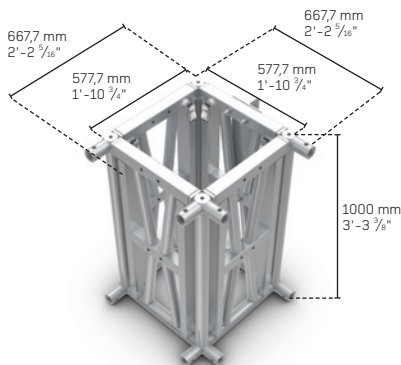
MT2 02 HEAD SECTION

Fitted with pulleys that will accommodate a chain.



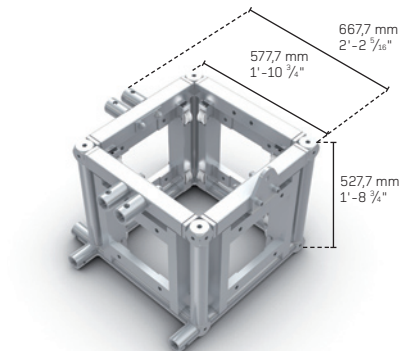
MT2 03 SLEEVE BLOCK FTT

A combination of aluminum and steel, the block consists of strong aluminum profiles that are connected with steel components. The block allows for connection of QuickTruss® M950 fold systems.



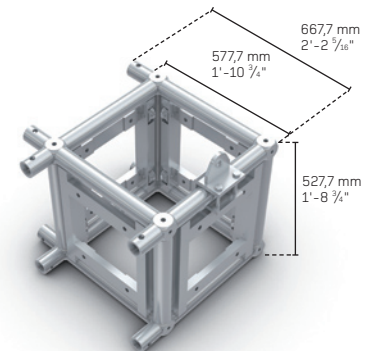
MT2 03 SLEEVE BLOCK RTT

A combination of aluminum and steel, the block consists of strong aluminum profiles that are connected with steel components. The block allows for connection of QuickTruss® M400 rect and M520 quatro systems.



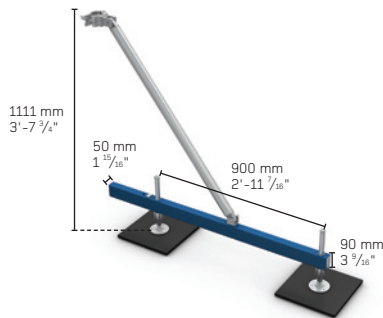
MT2 03 SLEEVE BLOCK FTP

A combination of aluminum and steel, the block consists of strong aluminum profiles that are connected with steel components. The block allows for connection of QuickTruss® M400 rect and M520 fold systems.



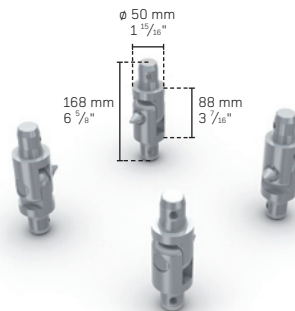
MT2 03 SLEEVE BLOCK QTP

A combination of aluminum and steel, the block consists of strong aluminum profiles that are connected with steel components. The block allows for connection of QuickTruss® M400 rect and M520 quatro systems.



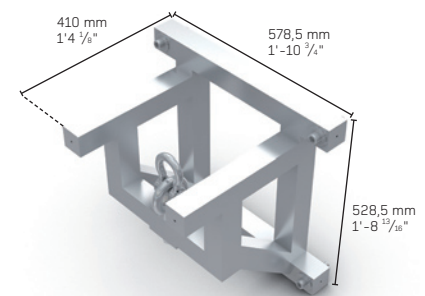
MT2 05 LONG OUTRIGGER

Long outrigger is 1.4 m (4.59') long, including levellers to accommodate uneven surfaces.



MT2 07 HINGE PARTS

Used to connect the vertical Quatro pieces together and to allow for tilt-up assembly. 4 off Hinge Parts per set.



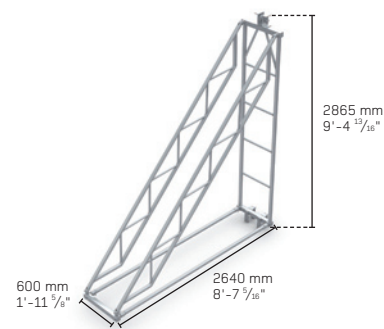
MT2 09 BRACKET FOR MOTOR

Can be used for motor attachment to sleeve block to achieve maximum loading characteristics.



MT2 10 SAFETY WIRE

Use with MT2 to secure sleeve block.



MT2 11 HELPER

Used for tower elevation.