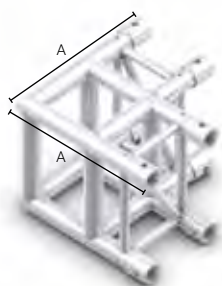


# Intersecting style and substance

## Junctions for M400 - M520

The M400-520 junction range provides versatile modular solutions for our high-capacity range of systems. All junctions feature our super CNC machined end receivers and are manufactured by

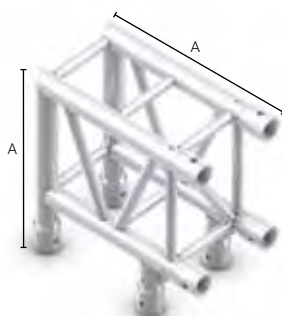
certified welders to the latest DIN specifications. All junctions shown are supplied complete with one super connection set (4 connectors, 8 pins & 8 clips).



**2 WAY CORNER 90°**

Series	Code	A	B	C	Kg
M400	RCO 21	433	-	-	10,8

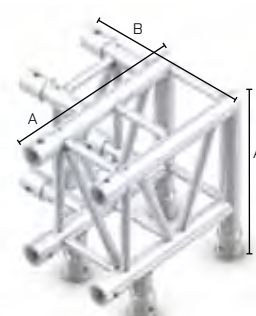
for inch (mm x 25,4 = inch • kg x 2.204 = lbs)



**2 WAY CORNER 90°**

Series	Code	A	B	C	Kg
M400	RCO 24	479	-	-	10,8

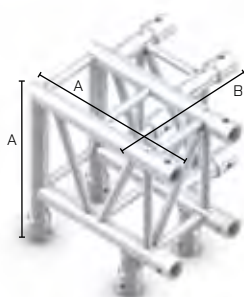
for inch (mm x 25,4 = inch • kg x 2.204 = lbs)



**3 WAY CORNER 90°**

Series	Code	A	B	C	Kg
M400	RLO 31	479	433	-	11,9

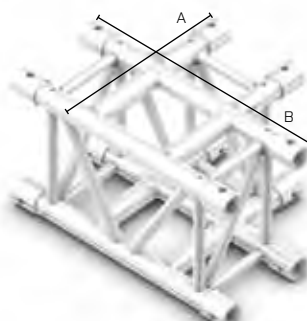
for inch (mm x 25,4 = inch • kg x 2.204 = lbs)



**3 WAY CORNER 90°**

Series	Code	A	B	C	Kg
M400	RLO 32	479	433	-	11,9

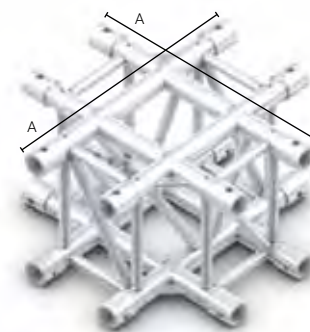
for inch (mm x 25,4 = inch • kg x 2.204 = lbs)



**3 WAY TEE PIECE**

Series	Code	A	B	C	Kg
M400	RTO 35	433	600	-	11,9

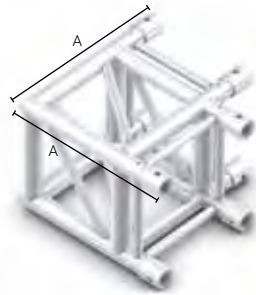
for inch (mm x 25,4 = inch • kg x 2.204 = lbs)



**4 WAY CROSS PIECE**

Series	Code	A	B	C	Kg
M400	RCO 41	600	-	-	16,8

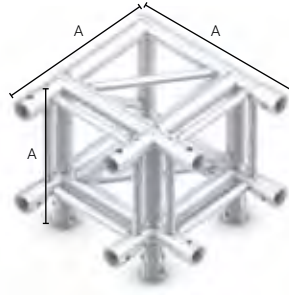
for inch (mm x 25,4 = inch • kg x 2.204 = lbs)



**2 WAY CORNER 90°**

Series	Code	A	B	C	Kg
M400	QCO 21	479	-	-	11,66

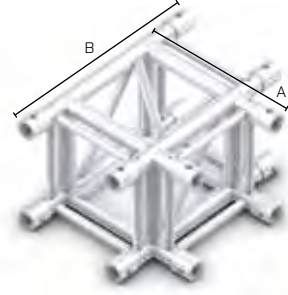
for inch (mm x 25,4 = inch • kg x 2.204 = lbs)



**3 WAY CORNER 90°**

Series	Code	A	B	C	Kg
M400	QLO 30	479	-	-	12,9

for inch (mm x 25,4 = inch • kg x 2.204 = lbs)



**3 WAY TEE PIECE**

Series	Code	A	B	C	Kg
M400	QTO 35	479	600	-	12,9

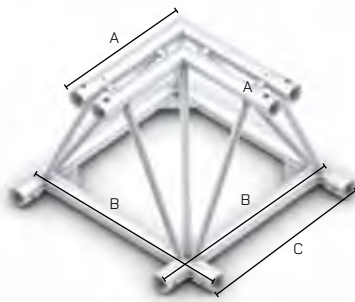
for inch (mm x 25,4 = inch • kg x 2.204 = lbs)



**4 WAY CROSS PIECE**

Series	Code	A	B	C	Kg
M400	QCO 41	600	-	-	18

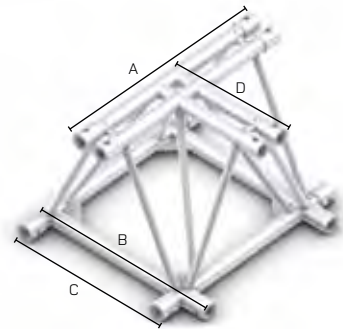
for inch (mm x 25,4 = inch • kg x 2.204 = lbs)



**2 WAY CORNER 90°**

Series	Code	A	B	C	Kg
M520	FCP 21	439	660	579	15,17

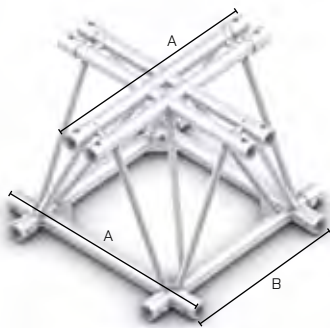
for inch (mm x 25,4 = inch • kg x 2.204 = lbs)



**3 WAY TEE PIECE**

Series	Code	A	B	C	D	Kg
M520	FTP 35	740	660	579	439	16,77

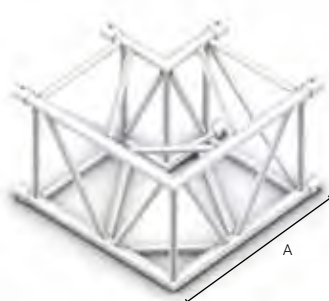
for inch (mm x 25,4 = inch • kg x 2.204 = lbs)



**3 WAY CROSS PIECE**

Series	Code	A	B	C	Kg
M520	FCP 41	740	579	-	21,84

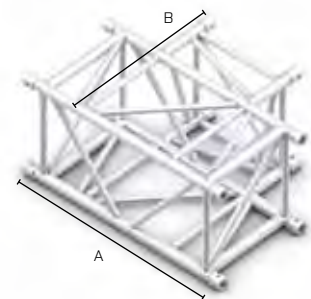
for inch (mm x 25,4 = inch • kg x 2.204 = lbs)



**2 WAY CORNER 90°**

Series	Code	A	B	C	Kg
M520	QCP 21	800	-	-	17,0

for inch (mm x 25,4 = inch • kg x 2.204 = lbs)



**3 WAY TEE PIECE**

Series	Code	A	B	C	Kg
M520	QTP 35	1080	800	-	24,0

for inch (mm x 25,4 = inch • kg x 2.204 = lbs)