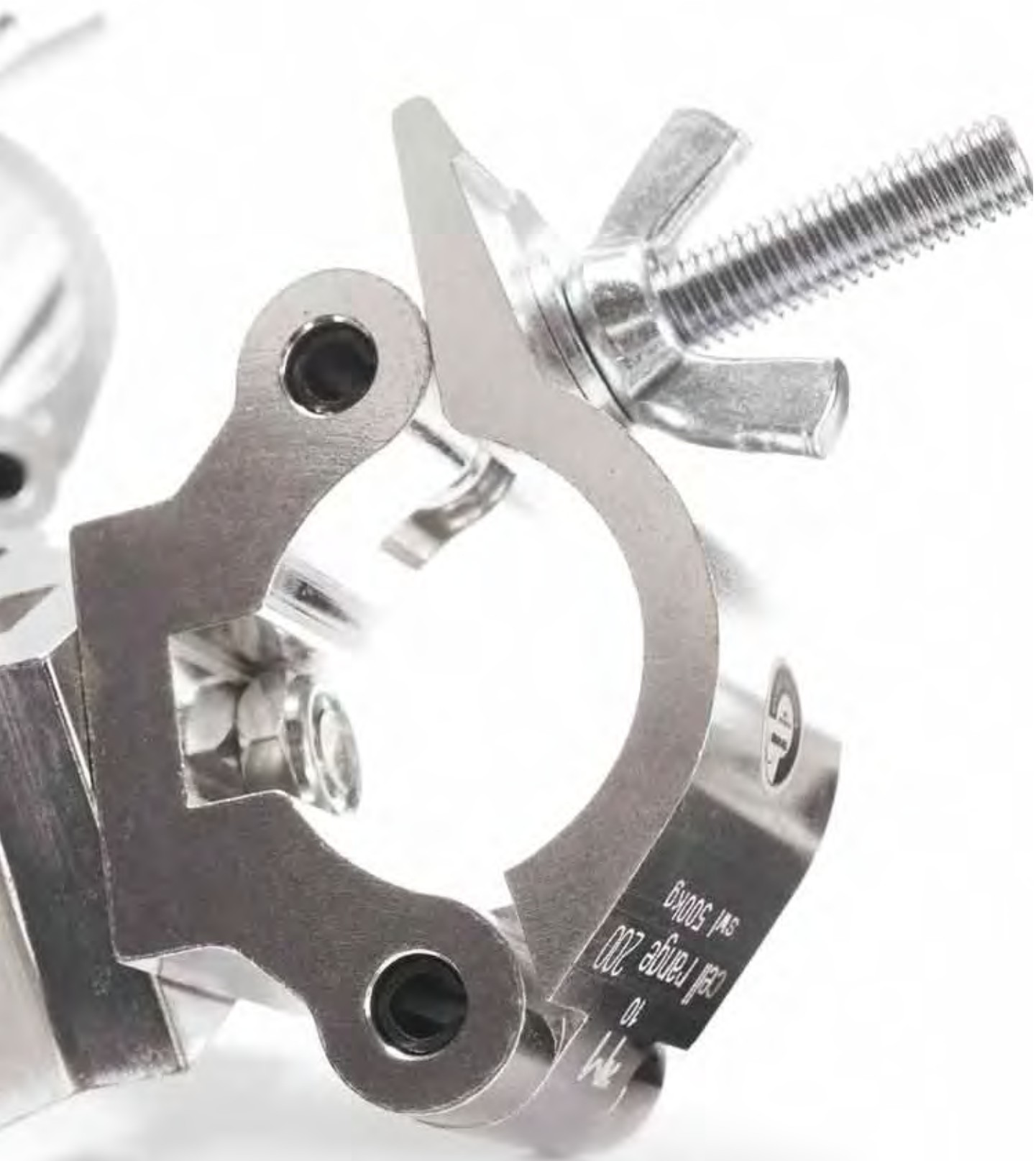




Fixation and flexibility

Cell clamps



Fixation and flexibility

CELL 100 SERIES



- designed for tubes 32 mm (1 ¼")
- supplied with M6 closing bolt
- mounting hole suitable for up to 6,5 mm (¼") bolt
- made from ultra high tensile aluminium alloy
- professional micropercussion marking
- highly polished surface
- anodized versions available on special request

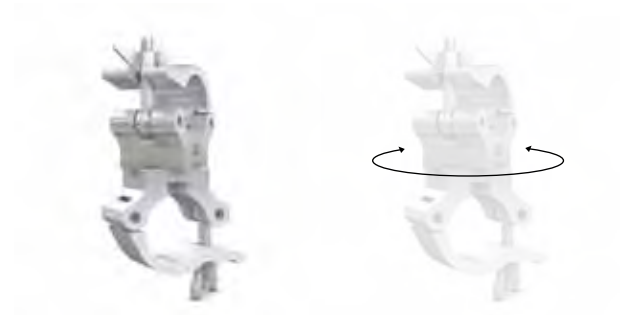


CELL 101			Clamp basic
SWL	Weight	Ø	
100 Kg	0,15 Kg	32 mm	Basic Clamp can be used for most applications.
220 lbs	0.33 lbs	1.26"	

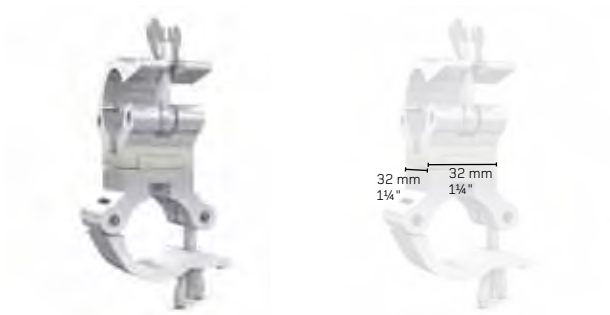
CELL 102			Clamp with bolt and wingnut
SWL	Weight	Ø	
100 Kg	0,25 Kg	32 mm	Clamp supplied with M6 x 25 bolt and wingnut.
220 lbs	0.55 lbs	1.26"	



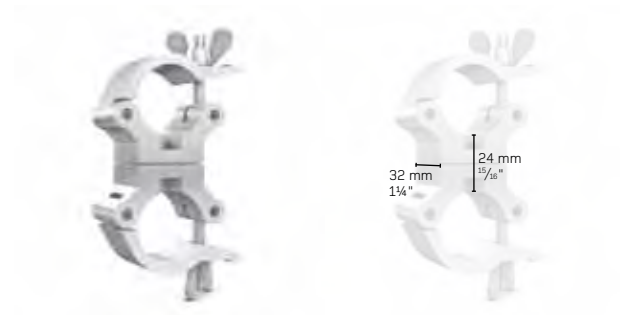
CELL 103				Clamp with lifting eye
SWL	Weight	Ø	Clamp supplied with steel eye for rope or cable attachment.	
100 Kg	0,70 Kg	32 mm		
220 lbs	154 lbs	1.26"		



CELL 104				Swivel coupler
SWL	Weight	Ø	Set of two clamps free to rotate 360° for connection of two tubes.	
100 Kg	0,80 Kg	32 mm		
220 lbs	176 lbs	1.26"		



CELL 105				90° fixed coupler
SWL	Weight	Ø	Set of two clamps fixed at 90° to each other for connection of two tubes.	
100 Kg	0,80 Kg	32 mm		
220 lbs	176 lbs	1.26"		



CELL 106				Parallel coupler
SWL	Weight	Ø	Set of two clamps fixed parallel to each other for connection of two tubes.	
100 Kg	0,80 Kg	32 mm		
220 lbs	176 lbs	1.26"		



CELL 113					Horizontal attachment
L1	L2	L3	Ø	32 x 1,5 mm also available in custom lengths.	
250 mm	500 mm	750 mm	32 mm		
9.84"	19.69"	29.53"	1.26"		