

# Sky and stage Tower MT3

MT3 Rigging Tower is designed for the largest events and applications which require maximum loading and free-span characteristics. The MT3 uses substantial columns constructed from QuickTruss® M520 to a maximum height of 15 m (49.2').

A specially reinforced sleeve block and double roll head section used in combination with QuickTruss® M950 will allow users to construct an incredible ground support system for those really BIG applications.

The high capacity MT3 Tower System is also a key component within the Milos MR4, MR5 and MR6 roof systems.

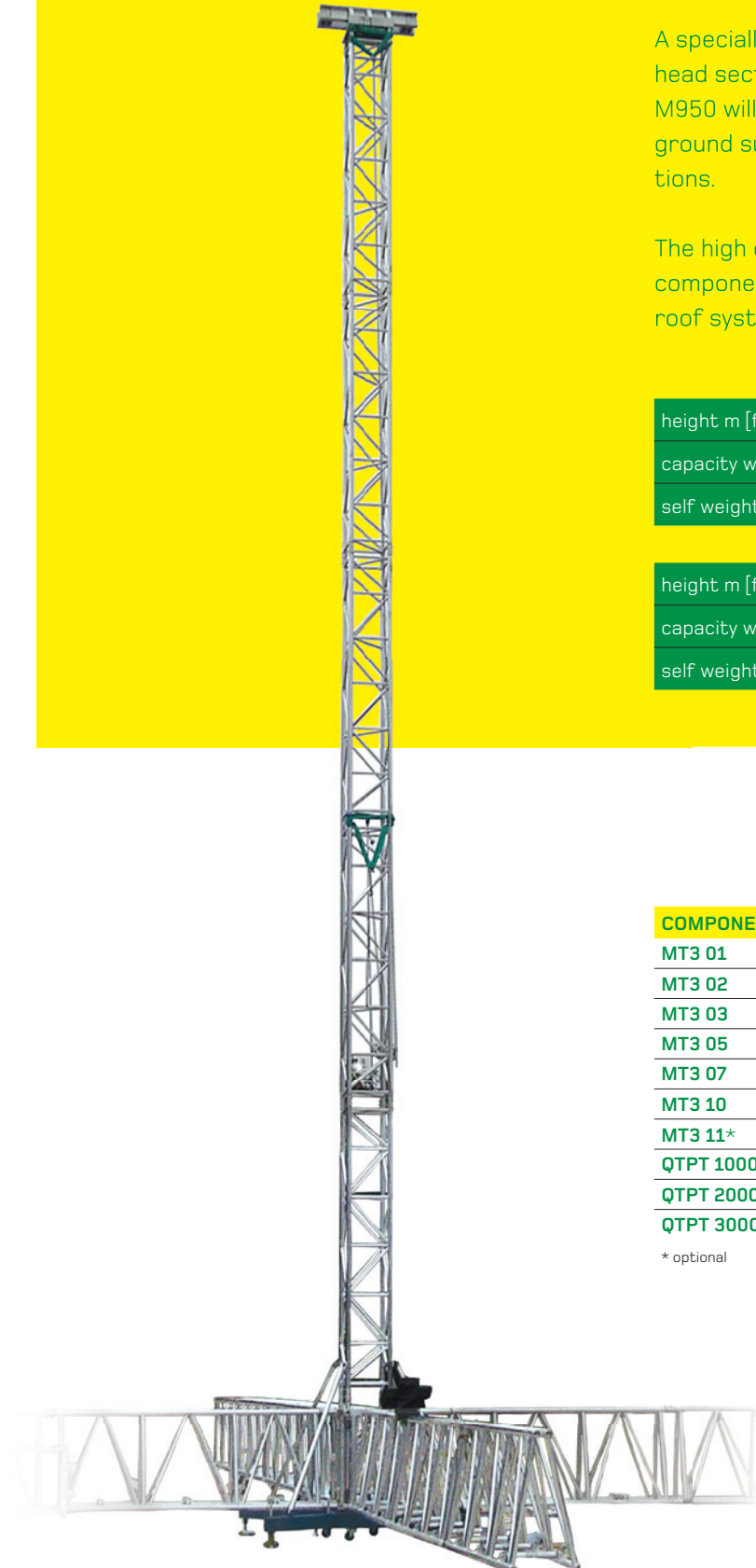
height m [ft]	12	39.37
capacity with motor kg [lbs]	4000	8820
self weight kg [lbs]	576	1269.6

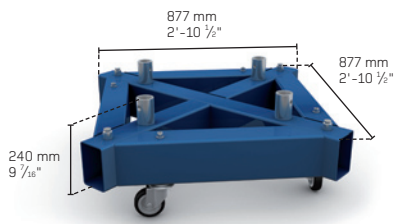
height m [ft]	15	49.22
capacity with motor kg [lbs]	3000	6612.6
self weight kg [lbs]	621	1368.8

## COMPONENTS REQUIRED TO CONSTRUCT ONE MT3 TOWER

<b>MT3 01</b>	steel base MT3	1 piece
<b>MT3 02</b>	head section MT3	1 piece
<b>MT3 03</b>	sleeve block M950	1 piece
<b>MT3 05</b>	long outrigger MT3	4 pieces
<b>MT3 07</b>	hinge parts	1 set = 4 pieces
<b>MT3 10</b>	safety chain with shackles	1 piece
<b>MT3 11*</b>	helper	1 piece
<b>QTPT 1000</b>	M520T quatro 1,0 m length	1 piece
<b>QTPT 2000</b>	M520T quatro 2,0 m length	1 piece
<b>QTPT 3000</b>	M520T quatro 3,0 m length	4 pieces

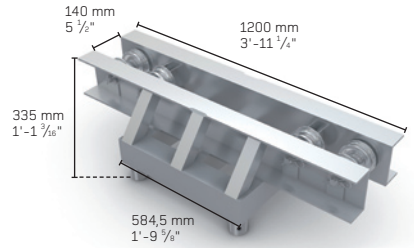
\* optional





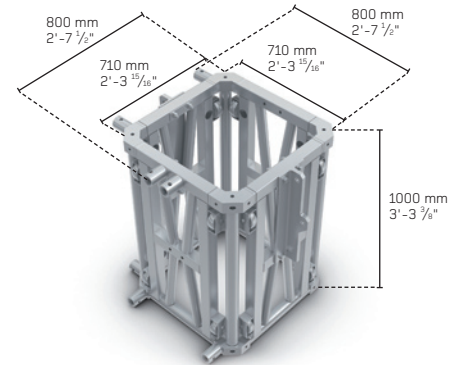
**MT3 01 STEEL BASE**

A robust steel base ensures adequate stability for the tower. The base has wheels which allows for easy movement during setup.



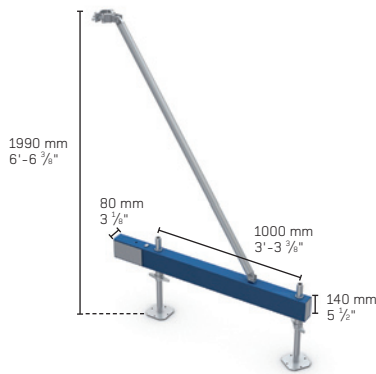
**MT3 02 HEAD SECTION**

Steel pulleys to suit lifting chain.



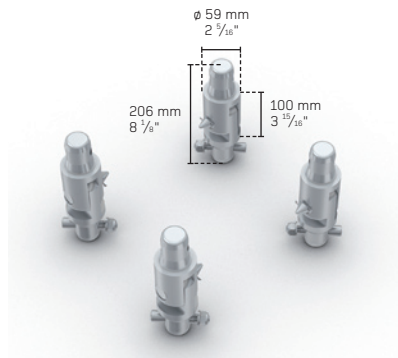
**MT3 03 SLEEVE BLOCK FTT / RTT**

A combination of aluminum and steel, the block consists of strong aluminum profiles that are connected with steel components. The block allows for connection of QuickTruss® M950 rectangle or fold.



**MT3 05 LONG OUTRIGGER**

Long outrigger, including levelers to accommodate uneven surfaces.



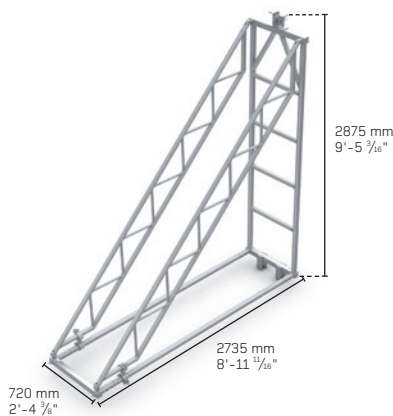
**MT3 07 HINGE PARTS**

Used to connect the vertical Quatro pieces together and allow for tilt-up assembly.



**MT3 10 SAFETY CHAIN**

Sleeve block locking chain is including shackles



**MT3 11 HELPER**

Used for tower elevation.