

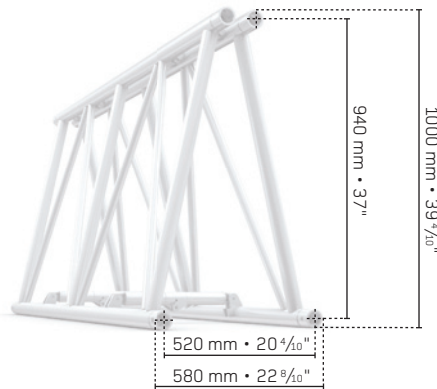
Capacity and possibilities

QuickTruss® M950



The latest and largest system in our range designed specifically for maximum loading and free-span characteristics. M950 redefines the rules that `big is slow` using proven QuickTruss® technology for an extremely Quick and Secure assembly of components. All components are

manufactured by our fully certified welders using the highest specification materials including 60 x 6 mm (2 3/8" x 1/4") main tubes and 32 x 3 mm (1 1/4" x 1/8") bracing spars. Rectangular and compact Folding versions are available to suit any temporary event or permanent construction(s).



FOLD FTT

tubes	60 x 6 mm	2 3/8" x 1/4"	braces	32 x 3 mm	1 1/4" x 1/8"	material	alloy EN - AW 6082 T6
--------------	-----------	---------------	---------------	-----------	---------------	-----------------	-----------------------

FOLD M950																
Span in m (ft)	5,00	16.41	10,00	32.81	12,00	39.37	14,00	45.93	16,00	52.50	18,00	59.06	20,00	65.62	22,00	72.18
point load in kg (lbs)	4774,20	10525.30	4426,50	9758.75	3649,50	8045.76	3088,40	6808.75	2662,20	5869.14	2326,00	5127.95	2052,70	4525.42	1825,30	4024.09
deflection in mm (inch)	2,00	0.78	15,00	0.59	21,00	0.82	29,00	1.13	38,00	1.48	49,00	1.91	60,00	2.34	73,00	2.85
two point load in kg (lbs)	2387,00	5262.43	2333,60	5144.70	2312,20	5097.52	2290,80	5050.34	1996,70	4401.96	1744,50	3845.96	1539,50	3394.01	1368,90	3017.90
deflection in mm (inch)	2,00	0.78	13,00	0.51	23,00	0.90	36,00	1.40	48,00	1.87	61,00	2.38	75,00	2.93	91,00	3.55
distrib. load (UDL) in kg/m (lbs/ft)	954,80	641.53	466,70	313.58	385,40	258.95	327,30	219.91	283,70	190.62	249,80	167.84	205,30	137.94	165,90	111.47
total distrib. load (UDL) in kg (lbs)	4774,00	10524.86	4667,00	10288.96	4624,80	10195.93	4582,20	10102.01	4539,20	10007.21	4496,40	9912.85	4106,00	9052.17	3649,80	8046.42
deflection in mm (inch)	1,00	0.39	10,00	0.39	17,00	0.66	27,00	1.05	40,00	1.56	58,00	2.26	73,00	2.85	89,00	3.47

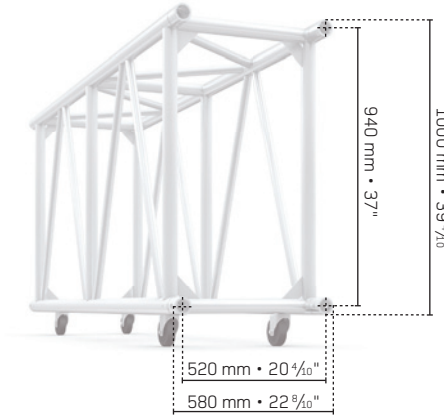
Span in m (ft)	24,00	78.74	26,00	85.31	28,00	91.87	30,00	98.43	32,00	104.99	34,00	111.55	36,00	118.12	38,00	124.68	40,00	131.24
point load in kg (lbs)	1632,10	3598.16	1465,40	3230.65	1319,50	2909.00	1190,20	2623.94	1074,30	2368.42	969,60	2137.60	874,10	1927.06	786,40	1733.71	705,40	1555.14
deflection in mm (inch)	87,00	3.39	103,00	4.02	120,00	4.68	139,00	5.42	160,00	6.24	181,00	7.06	205,00	8.00	230,00	8.97	257,00	10.02
two point load in kg (lbs)	1224,10	2698.68	1099,10	2423.10	989,60	2181.69	892,60	1967.84	805,70	1776.26	727,20	1603.20	655,60	1445.35	589,80	1300.28	529,00	1166.24
deflection in mm (inch)	108,00	4.21	126,00	4.91	147,00	5.73	168,00	6.55	191,00	7.45	216,00	8.42	242,00	9.44	269,00	10.49	298,00	11.62
distrib. loading in kg/m (lbs/ft)	136,00	91.38	112,70	75.72	94,20	63.29	79,30	53.28	67,10	45.08	57,00	38.30	48,60	32.65	41,40	27.82	35,30	23.72
total distrib. loading in kg (lbs)	3264,00	7195.88	2930,20	6459.98	2637,60	5814.91	2379,00	5244.79	2147,20	4733.76	1938,00	4272.55	1749,60	3857.20	1573,20	3468.31	1412,00	3112.92
deflection in mm (inch)	106,00	4.13	124,00	4.84	144,00	5.62	165,00	6.44	188,00	7.33	212,00	8.27	238,00	9.28	265,00	10.34	294,00	11.47

metric data imperial data

point load in kg (lbs)

two point load in kg (lbs)

distrib. load (UDL) in kg/m (lbs/ft)



RECT RTT

tubes	60 x 6 mm	2 3/8" x 1/4"	braces	32 x 3 mm	1 1/4" x 1/8"	material	alloy EN - AW 6082 T6
--------------	-----------	---------------	---------------	-----------	---------------	-----------------	-----------------------

RECT M950

Span in m (ft)	5,00	16.41	10,00	32.81	12,00	39.37	14,00	45.93	16,00	52.50	18,00	59.06	20,00	65.62	22,00	72.18
point load in kg (lbs)	5976,50	13175.91	4691,30	10342.53	3863,60	8517.77	3265,20	7198.53	2810,20	6195.42	2450,70	5402.86	2158,20	4758.01	1914,20	4220.08
deflection in mm (inch)	2,00	0.78	16,00	0.62	23,00	0.90	31,00	1.21	41,00	1.60	52,00	2.03	64,00	2.50	78,00	3.04
two point load in kg (lbs)	2988,20	6587.85	2925,70	6450.06	2897,70	6388.33	2448,90	5398.89	2107,70	4646.68	1838,10	4052.31	1618,60	3568.40	1435,70	3165.17
deflection in mm (inch)	2,00	0.78	170,00	6.63	29,00	1.13	39,00	1.52	51,00	1.99	64,00	2.50	80,00	3.12	96,00	3.74
distrib. load (UDL) in kg/m (lbs/ft)	1195,30	803.12	585,10	393.13	483,50	324.86	410,80	276.02	351,30	236.04	272,30	182.96	215,80	145.00	174,00	116.91
total distrib. load (UDL) in kg (lbs)	5976,50	13175.91	5851,00	12899.23	5802,00	12791.21	5751,20	12679.21	5620,80	12391.73	4901,40	10805.72	4316,00	9515.14	3828,00	8439.29
deflection in mm (inch)	2,00	0.78	12,00	0.47	21,00	0.82	34,00	1.33	50,00	1.95	63,00	2.46	78,00	3.04	94,00	3.67

Span in m (ft)	24,00	78.74	26,00	85.31	28,00	91.87	30,00	98.43	32,00	104.99	34,00	111.55	36,00	118.12	38,00	124.68	40,00	131.24
point load in kg (lbs)	1706,80	3762.85	1527,40	3367.34	1370,10	3020.55	1230,40	2712.56	1105,10	2436.33	991,60	2186.10	887,90	1957.48	792,50	1747.16	704,10	1552.27
deflection in mm (inch)	93,00	3.63	110,00	4.29	129,00	5.03	149,00	5.81	170,00	6.63	194,00	7.57	219,00	8.54	246,00	9.59	276,00	10.76
two point load in kg (lbs)	1280,10	2822.13	1145,60	2525.61	1027,60	2265.47	922,80	2034.42	828,80	1827.19	743,70	1639.58	665,90	1468.06	594,30	1310.21	528,10	1164.26
deflection in mm (inch)	114,00	4.45	134,00	5.23	156,00	6.08	179,00	6.98	203,00	7.92	229,00	8.93	257,00	10.02	286,00	11.15	316,00	12.32
distrib. loading in kg/m (lbs/ft)	142,20	95.54	117,50	78.95	97,90	65.78	82,00	55.10	69,10	46.43	58,30	39.17	49,30	33.12	41,70	28.02	35,20	23.65
total distrib. loading in kg (lbs)	3412,80	7523.93	3055,00	6735.11	2741,20	6043.30	2460,00	5423.37	2211,20	4874.86	1982,20	4370.00	1774,80	3912.76	1584,60	3493.44	1408,00	3104.10
deflection in mm (inch)	112,00	4.37	132,00	5.15	153,00	5.97	176,00	6.86	200,00	7.80	226,00	8.81	253,00	9.87	282,00	11.00	312,00	12.17

STANDARD LENGTHS AVAILABLE AND WEIGHTS

m (ft)	1,00	3.28	1,20	3.94	2,00	6.56	2,40	7.87	3,00	9.84
Fold-kg (lbs)	24,00	52.91	27,50	60.63	43,90	96.78	48,50	106.92	62,60	138.01
Rect-kg (lbs)	30,00	66.14	33,60	74.08	51,00	112.44	56,00	123.46	71,00	156.53

connection material (pins/clips) and packaging not included in above weights