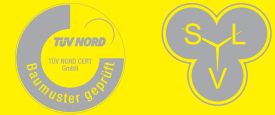


Capacity and possibilities

QuickTruss® M520

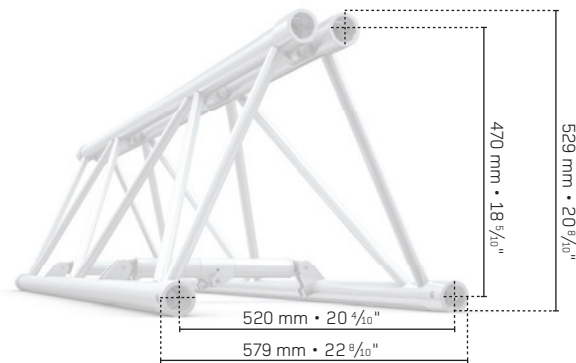


QuickTruss® M520 is a high-capacity system consisting of fixed and folding formats. The folding version reduces storage and transportation volume by 70% and is quickly assembled to its load-bearing condition without any tools.

Both formats have impressive free-span characteristics up to 20m [65.6 ft], the Quatro system also offers incredible loading capacity. All M520

components are joined using the large format Quick Connectors, tapered pins and clips for an extremely fast and secure assembly and can be used with the MR3 roof system.

QuickTruss® M520 is available in custom lengths and junctions. It comes in Natural Silver or a wide variety of Powder Coated colours and finishes.



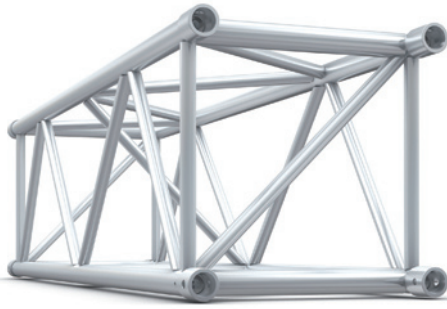
FOLD FTP

tubes	50 x 4 mm	2" x 1/8"	braces	25 x 3 mm	1" x 1/8"	alloy	EN - AW 6082 T6
-------	-----------	-----------	--------	-----------	-----------	-------	-----------------

FOLD M520		8,00	26.25	9,00	29.53	10,00	32.81	11,00	36.09	12,00	39.37	13,00	42.65	14,00	45.93	15,00	49.22
Span in m (ft)																	
point load in kg (lbs)		1145,00	2524.29	1065,00	2347.92	1001,00	2206.82	946,00	2085.57	899,00	1981.95	859,00	1893.77	823,00	1814.40	790,00	1741.65
deflection in mm (inch)		14,00	0.55	18,00	0.70	24,00	0.94	31,00	1.21	39,00	1.52	48,00	1.87	58,00	2.26	7,00	0.27
two point load in kg (lbs)		858,00	1891.56	799,00	1761.49	750,00	1653.47	710,00	1565.28	675,00	1488.12	644,00	1419.78	617,00	1360.25	592,00	1305.14
deflection in mm (inch)		18,00	0.70	23,00	0.90	30,00	1.17	38,00	1.48	48,00	1.87	59,00	2.30	77,00	3.00	92,00	3.59
distrib. load (UDL) in kg/m (lbs/ft)		440,00	295.64	346,00	232.48	278,00	186.79	228,00	153.19	190,00	127.66	160,00	107.50	137,00	92.05	118,00	79.28
total distrib. load (UDL) in kg (lbs)		3520,00	7760.26	3114,00	6865.19	2780,00	6128.84	2508,00	5529.19	2280,00	5026.53	2080,00	4585.61	1918,00	4228.46	1770,00	3902.18
deflection in mm (inch)		28,00	1.09	36,00	1.40	44,00	1.72	54,00	2.11	64,00	2.50	76,00	2.96	88,00	3.43	101,00	3.94

Span in m/ft	16,00	52.50	17,00	55.78	18,00	59.06	19,00	62.34	20,00	65.62	21,00	68.90	22,00	72.18	23,00	75.46	24,00	78.74
point load in kg/lbs	760,00	1675.04	732,00	1613.78	707,00	1558.67	659,00	1452.84	616,00	1358.05	577,00	1272.07	540,00	1190.49	506,00	1115.54	475,00	1047.19
deflection in mm (inch)	83,00	3.24	97,00	3.78	114,00	4.45	137,00	5.34	153,00	5.97	169,00	6.59	188,00	7.33	207,00	8.07	227,00	8.85
two point load in kg (lbs)	570,00	1256.63	548,00	1208.13	530,00	1168.45	495,00	1091.29	462,00	1018.53	432,00	952.40	405,00	892.87	380,00	837.76	356,00	784.84
deflection in mm (inch)	110,00	4.29	128,00	4.99	150,00	5.85	167,00	6.51	186,00	7.25	206,00	8.03	227,00	8.85	249,00	9.71	272,00	10.61
distrib. loading in kg/m (lbs/ft)	102,00	68.53	89,00	59.80	79,00	53.08	69,00	46.36	62,00	41.66	55,00	36.95	49,00	32.92	44,00	29.56	40,00	26.88
total distrib. loading in kg (lbs)	1632,00	3597.94	1513,00	3335.59	1422,00	3134.97	1311,00	2890.26	1240,00	2733.73	1155,00	2546.34	1078,00	2376.58	1012,00	2231.08	960,00	2116.44
deflection in mm (inch)	115,00	4.49	131,00	5.11	147,00	5.73	164,00	6.40	183,00	7.11	202,00	7.88	223,00	8.70	244,00	9.52	267,00	10.41

metric data	imperial data	point load in kg (lbs)	two point load in kg (lbs)	distrib. load (UDL) in kg/m (lbs/ft)
-------------	---------------	------------------------	----------------------------	--------------------------------------



QUATRO QTP

tubes	50 x 4 mm	2" x 1/8"	braces	30 x 3 mm	1 3/16" x 1/8"	alloy	EN - AW 6082 T6
-------	-----------	-----------	--------	-----------	----------------	-------	-----------------

QUATRO M520

Span in m (ft)	8,00	26.25	9,00	29.53	10,00	32.81	11,00	36.09	12,00	39.37	13,00	42.65	14,00	45.93	15,00	49.22
point load in kg (lbs)	1650,00	3637.62	1480,00	3262.84	1342,00	2958.60	1228,00	2707.27	1131,00	2493.43	1048,00	2310.44	976,00	2151.71	912,00	2010.61
deflection in mm (inch)	21,00	0.82	27,00	1.05	34,00	1.33	42,00	1.64	51,00	1.99	61,00	2.38	72,00	2.81	84,00	3.28
two point load in kg (lbs)	1237,00	2727.11	1110,00	2447.13	1006,00	2217.85	921,00	2030.46	848,00	1869.52	786,00	1732.83	732,00	1613.78	684,00	1507.96
deflection in mm (inch)	27,00	1.05	34,00	1.33	43,00	1.68	53,00	2.07	64,00	2.50	76,00	2.96	90,00	3.51	104,00	4.06
distrib. load (UDL) in kg/m (lbs/ft)	412,00	276.82	329,00	221.06	268,00	180.07	223,00	149.83	189,00	126.99	161,00	108.18	139,00	93.99	122,00	81.97
total distrib. load (UDL) in kg (lbs)	3296,00	7266.43	2961,00	6527.88	2680,00	5908.38	2453,00	5407.93	2268,00	5000.08	2093,00	4614.27	1946,00	4290.19	1830,00	4034.45
deflection in mm (inch)	26,00	1.01	34,00	1.33	42,00	1.64	52,00	2.03	63,00	2.46	75,00	2.93	88,00	3.43	102,00	3.98


Span in m/ft	16,00	52.50	17,00	55.78	18,00	59.06	19,00	62.34	20,00	65.62	21,00	68.90	22,00	72.18	23,00	75.46	24,00	78.74
point load in kg/lbs	842,00	1856.29	779,00	1717.40	723,00	1593.94	672,00	1481.50	626,00	1380.09	583,00	1285.29	543,00	1197.11	507,00	1117.74	473,00	1042.79
deflection in mm (inch)	96,00	3.74	108,00	4.21	122,00	4.76	136,00	5.30	152,00	5.93	168,00	6.55	185,00	7.22	203,00	7.92	223,00	8.70
two point load in kg (lbs)	631,00	1391.12	585,00	1289.70	542,00	1194.90	504,00	1111.13	469,00	1033.97	437,00	963.42	408,00	899.48	380,00	837.76	354,00	780.44
deflection in mm (inch)	119,00	4.64	134,00	5.23	150,00	5.85	167,00	6.51	185,00	7.22	204,00	7.96	224,00	8.74	244,00	9.52	266,00	10.37
distrib. loading in kg/m (lbs/ft)	105,00	70.55	92,00	61.81	80,00	53.75	71,00	47.70	63,00	42.33	56,00	37.63	49,00	32.92	44,00	29.56	39,00	26.20
total distrib. loading in kg (lbs)	1680,00	3703.76	1564,00	3448.03	1440,00	3174.65	1349,00	2974.03	1260,00	2777.82	1176,00	2592.63	1078,00	2376.58	1012,00	2231.08	936,00	2063.52
deflection in mm (inch)	116,00	4.52	131,00	5.11	147,00	5.73	164,00	6.40	182,00	7.10	200,00	7.78	220,00	8.58	240,00	9.36	262,00	10.22

STANDARD LENGTHS AVAILABLE AND WEIGHTS

m (ft)	1,00	3.28	1,20	3.94	1,50	4.92	1,60	5.25	2,00	6.56	2,40	7.87	2,50	8.20	3,00	9.84	3,50	11.48	4,00	13.12
Fold-kg (lbs)	-	-	15,40	33.95	-	-	20,90	46.08	-	-	29,10	64.15	-	-	-	-	-	-	-	-
Quatro-kg (lbs)	17,00	37.48	-	-	22,90	50.49	-	-	27,70	61.07	-	-	33,54	73.94	38,30	84.44	44,20	97.44	50,00	110.23

connection material (pins/clips/cons) and packaging not included in above weights

metric data imperial data

point load in kg (lbs) 

two point load in kg (lbs) 

distrib. load (UDL) in kg/m (lbs/ft) 