A close-up photograph of a crowd barrier, showing a metal mesh and a vertical post. The image is partially obscured by a teal-colored rectangular overlay on the left side, which contains the text. The background is blurred, showing a blue sky and a white structure.

Rock and rules
Crowd barriers



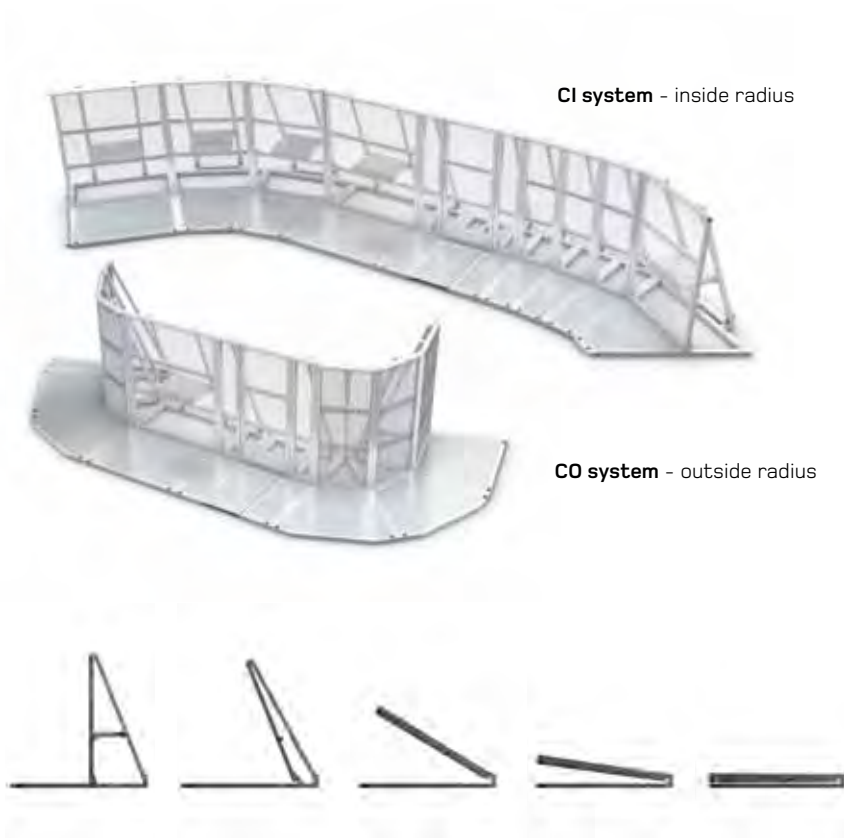
Rock and rules

Crowd barriers CI and CO systems

Our latest range of crowd control barriers provides the highest level of protection for any event or concert.

The lightweight modular system is finished with a durable anti-slip aluminium tread-plate deck and integrated cable management channel on the

standard modules. All barriers are designed with a quick fold system to minimise volume for ease of storage and transport. A wide range of configurations can be achieved from the standard module range, custom sizes and profiles can be produced to suit your specific requirements upon request.



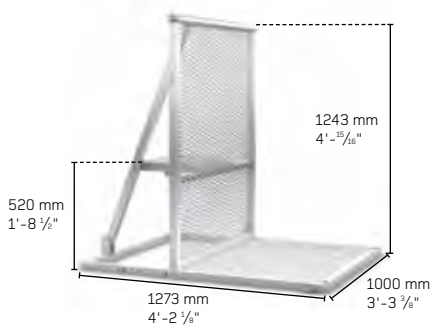
SAFETY FIRST

Safety is our No.1 priority when developing new products. Panels, doors and corner profiles are quickly & securely assembled using our side entry location pins and secondary locks creating a rigid crowd control wall.



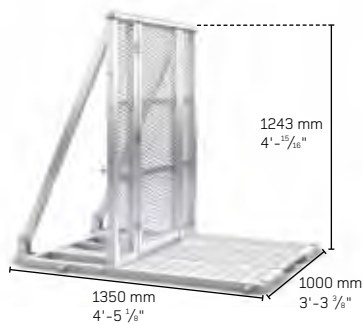
Milos Crowd Barriers are TÜV NORD certified and tested to 500 kg/m (336 lbs/ft)

SWL 500 Kg / 1102 lbs



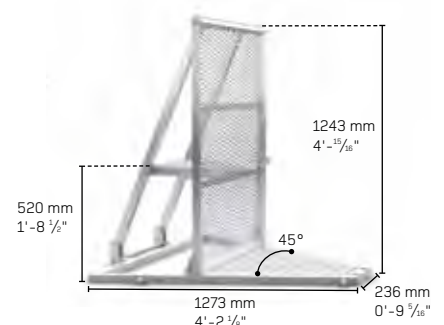
BAR-B

Self weight: 30 kg (66 lbs)



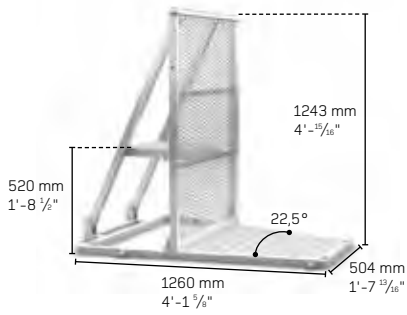
BAR-D

Self weight: 40 kg (88 lbs)

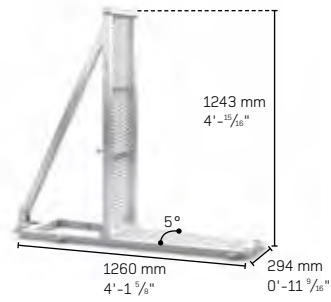


BAR-CI45

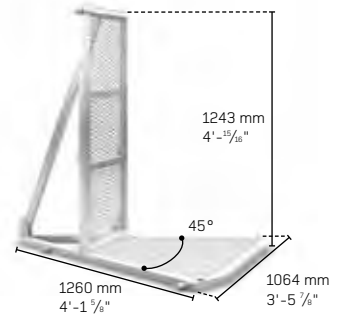
Self weight: 28 kg (62 lbs)



BAR-CI22,5 Self weight: 29 kg (64 lbs)



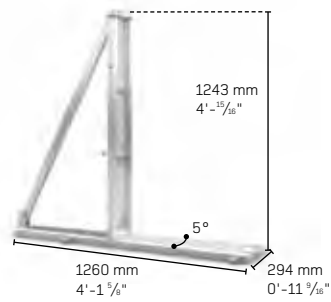
BAR-CI5 Self weight: 14 kg (31 lbs)



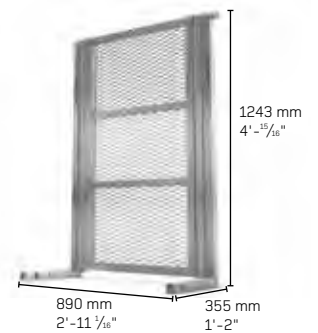
BAR-CO45 Self weight: 21 kg (46 lbs)



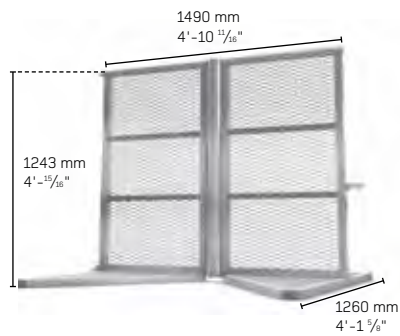
BAR-CO22,5 Self weight: 23 kg (51 lbs)



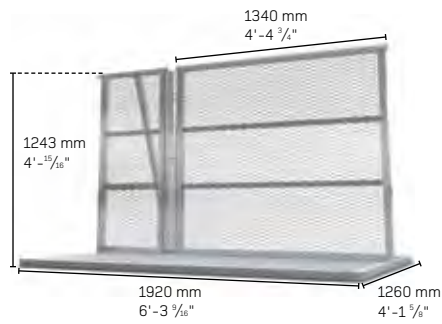
BAR-CO5 Self weight: 12 kg (26 lbs)



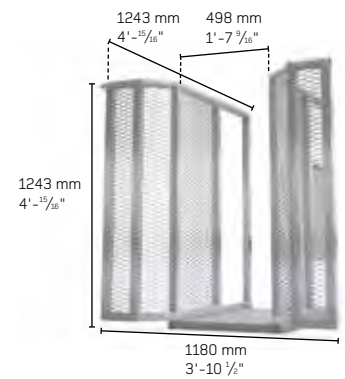
BAR-FC Self weight: 16,5 kg (36,3 lbs)



BAR-VC Self weight: 36 kg (79.2 lbs)



BAR-LG Self weight: 49 kg (107.8 lbs)



BAR-LUG Self weight: 30 kg (66 lbs)



BAR-V-CART Cart holds up to 10 barriers.



BAR-LUG - in use